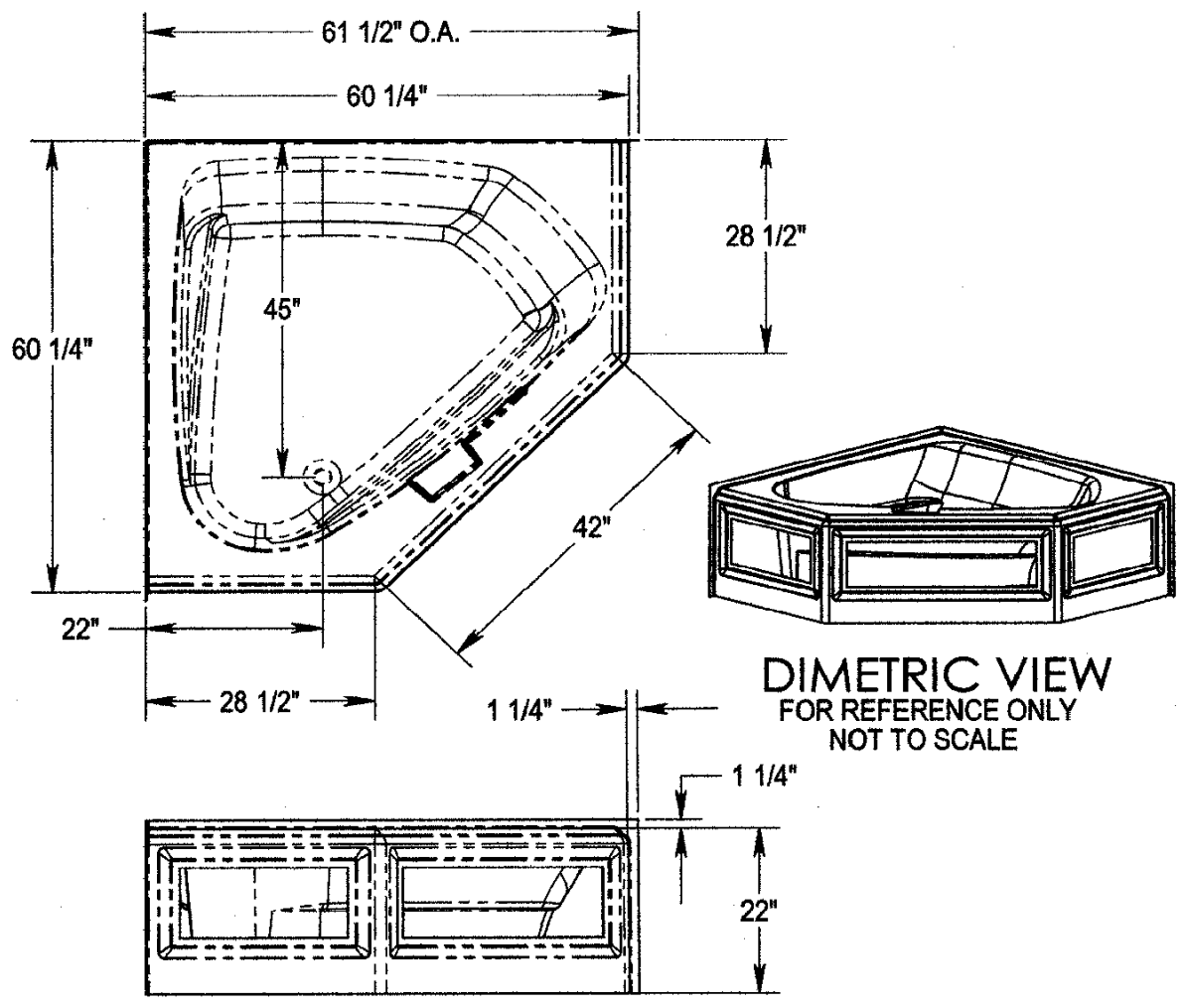


REVISIONS			
REV.	DESCRIPTION	DATE	APPROVED



UNLESS OTHERWISE SPECIFIED
DIMENSIONS ARE IN INCHES.
TOLERANCES ARE:

FRACTIONS	DECIMALS	ANGLES
± X/X	.XX ± .XX	± X°
	.XXX ± .XXX	

APPROVALS	DATE
DRAWN : V.CABRERA	4/4/00
CHECKED : R. TORRES	4/4/00

LASCO Bathware
3255 East Miraloma Ave.
Anaheim, CA 92806

TITLE Botticelli Model No. 8360620/1LX
Morandi Model No. 8260620/1
60 1/4" W x 60 1/4" D x 22" H
Corner Tub with Integral Skirt

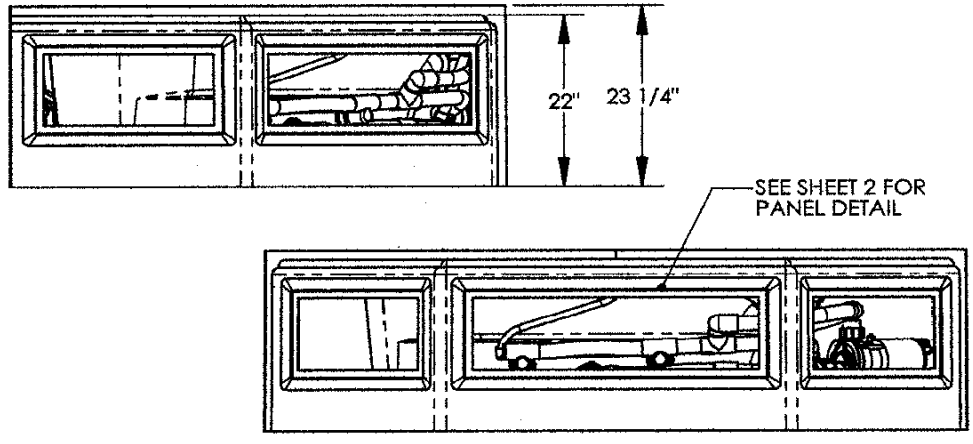
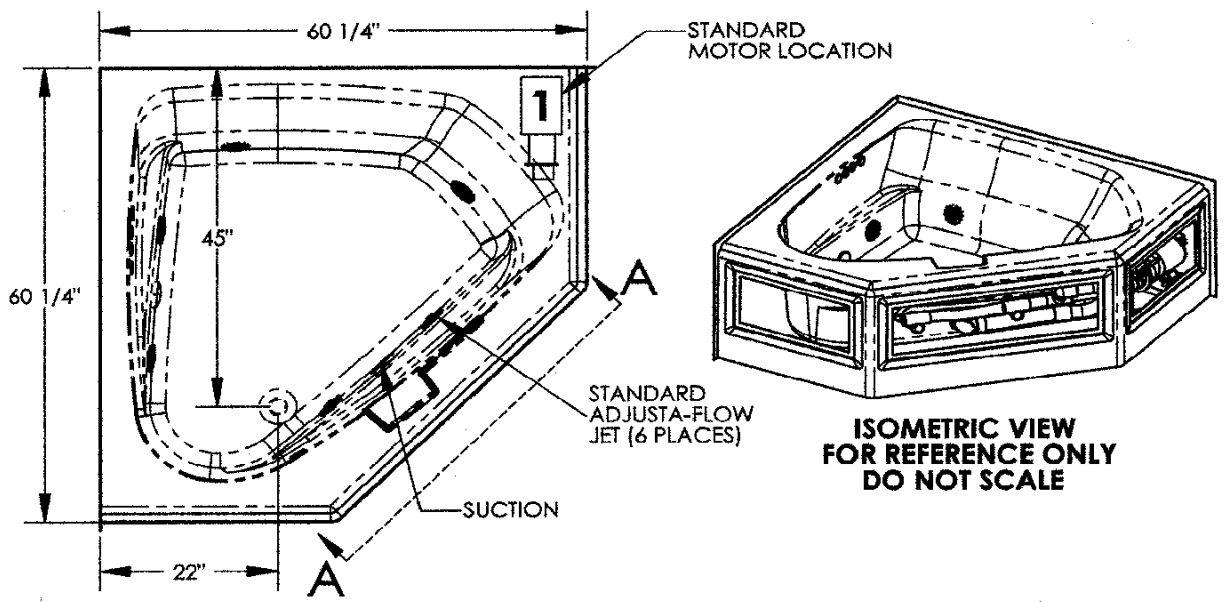
MATERIAL
FINISH
DO NOT SCALE DRAWING

CUSTOMER
CONTRACTOR

SIZE **A** DWG. NO. A-10-4501 REV.

SCALE: 1" = 20" SHEET 1 OF 1

REVISIONS			
REV.	DESCRIPTION	DATE	APPROVED



VIEW A-A

UNLESS OTHERWISE SPECIFIED DIMENSIONS ARE IN INCHES. TOLERANCES ARE:

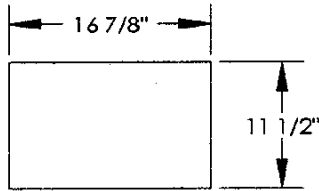
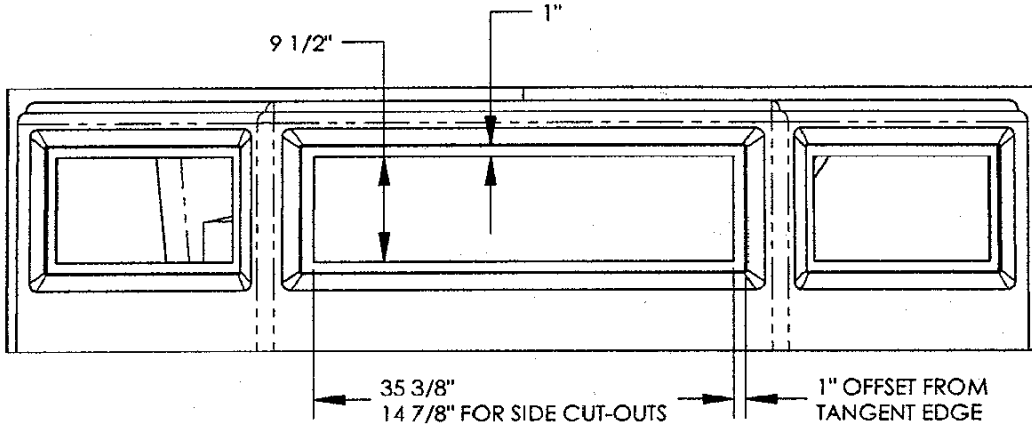
FRACTIONS ± X/X	DECIMALS .XX ± .XX .XXX ± .XXX	ANGLES ± X°
--------------------	--------------------------------------	----------------

MATERIAL
FINISH
DO NOT SCALE DRAWING

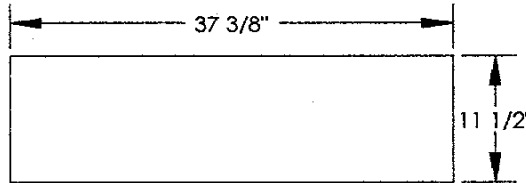
APPROVALS		DATE
DRAWN : D. GUEREQUE		6/08/00
CHECKED : V. CABRERA		6/13/00
CUSTOMER		
CONTRACTOR		

LASCO Bathware		3255 East Miraloma Ave. Anaheim, CA 92806	
TITLE			
MORANDI MODEL NO.8260621 BUILDERS WHIRLPOOL ASSEMBLY			
SIZE	DWG. NO.	REV.	
A	A-10-MORANDI-05-0001-WP		
SCALE: 1" = 20"			SHEET 1 OF 12

REVISIONS			
REV.	DESCRIPTION	DATE	APPROVED



QTY PER SKIRT: 2 PCS



QTY PER SKIRT: 1 PC

PANEL DETAIL

SCALE: 1=14

MATERIAL: 1/8" THK ACRYLIC SHEET
DEBURR AND BREAK SHARP EDGES

UNLESS OTHERWISE SPECIFIED
DIMENSIONS ARE IN INCHES.
TOLERANCES ARE:

FRACTIONS	DECIMALS	ANGLES
± X/X	.XX ± .XX	± X°
	.XXX ± .XXX	

LASCO
Bathware

3255 East Miraloma Ave.
Anaheim, CA 92806

APPROVALS	DATE
DRAWN : D. GUEREQUE	6/07/00
CHECKED : V. CABRERA	6/07/00

TITLE
PANEL CUT-OUT FOR
BOTTICELI/MORANDI
WHIRLPOOL TUBS

MATERIAL	CUSTOMER
FINISH	CONTRACTOR

SIZE A	DWG. NO. A-10-BOTTICELI-05-0001-WP	REV.
------------------	---------------------------------------	------

DO NOT SCALE DRAWING

SCALE: 1" = 20"

SHEET 2 OF 2