

SOAKING TUB DRAWING

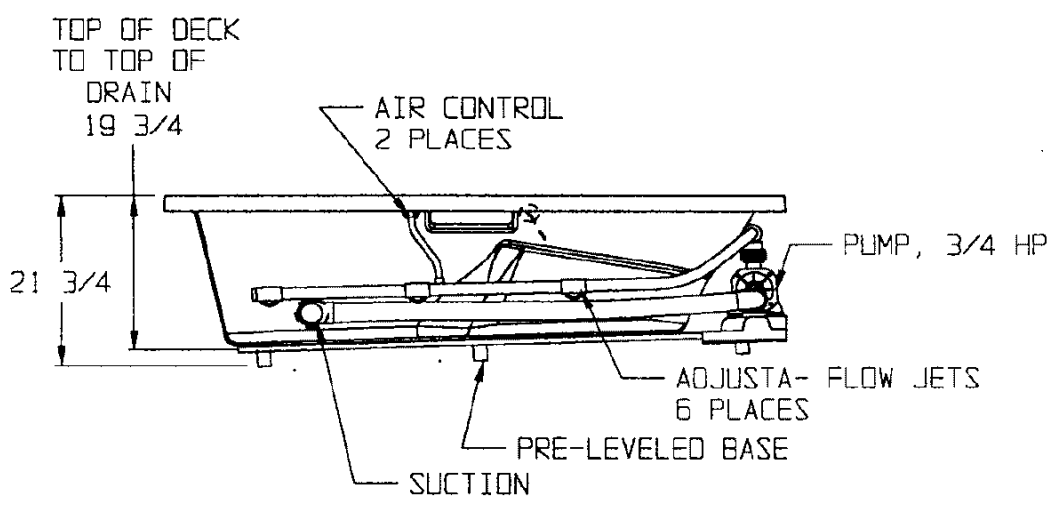
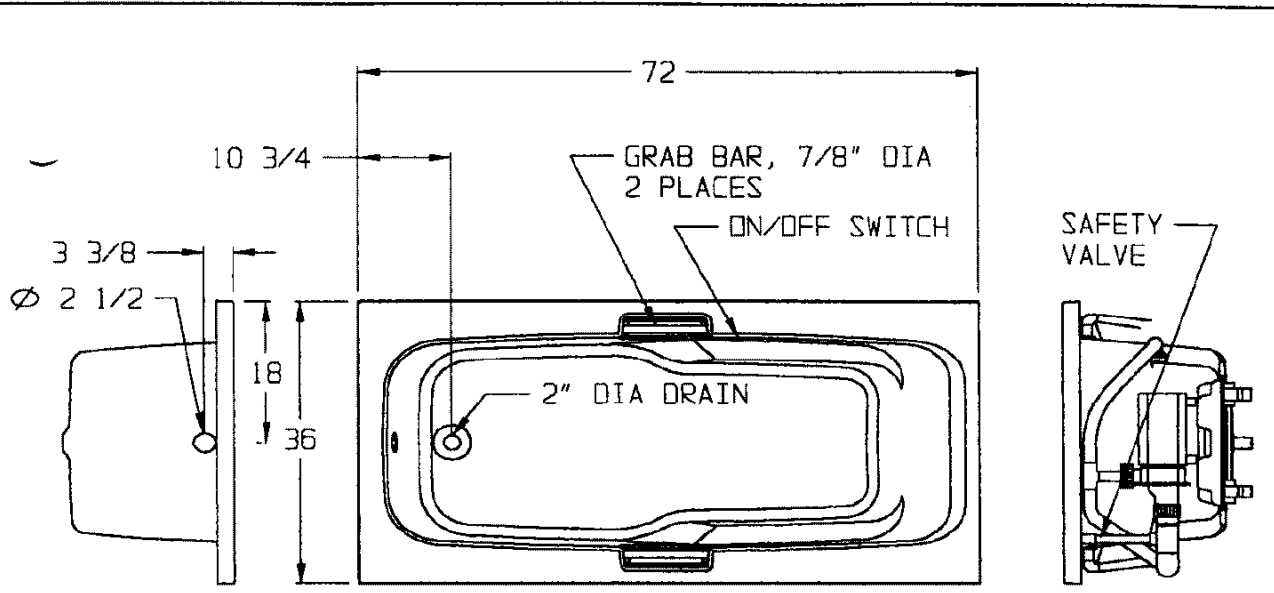
**LASCO**  
**BUILDER'S CHOICE**  
**SOAKING TUB**

3255 E. Miraloma Ave.  
 Anaheim, CA 92806

MONTROSE II  
 MODEL NO. 4272620

7/99

CAD FILE: A-10-MONTROSE2-10-0001-ST



WHIRLPOOL DRAWING

**LASCO**  
**BUILDER'S CHOICE**

3255 E. Miraloma Ave.  
Anaheim, CA 92806

MONROSE II  
MODEL NO. 4272621

7/99

CAO FILE: A-10-MONROSE2-10-0001-WP