

SOAKING TUB DRAWING

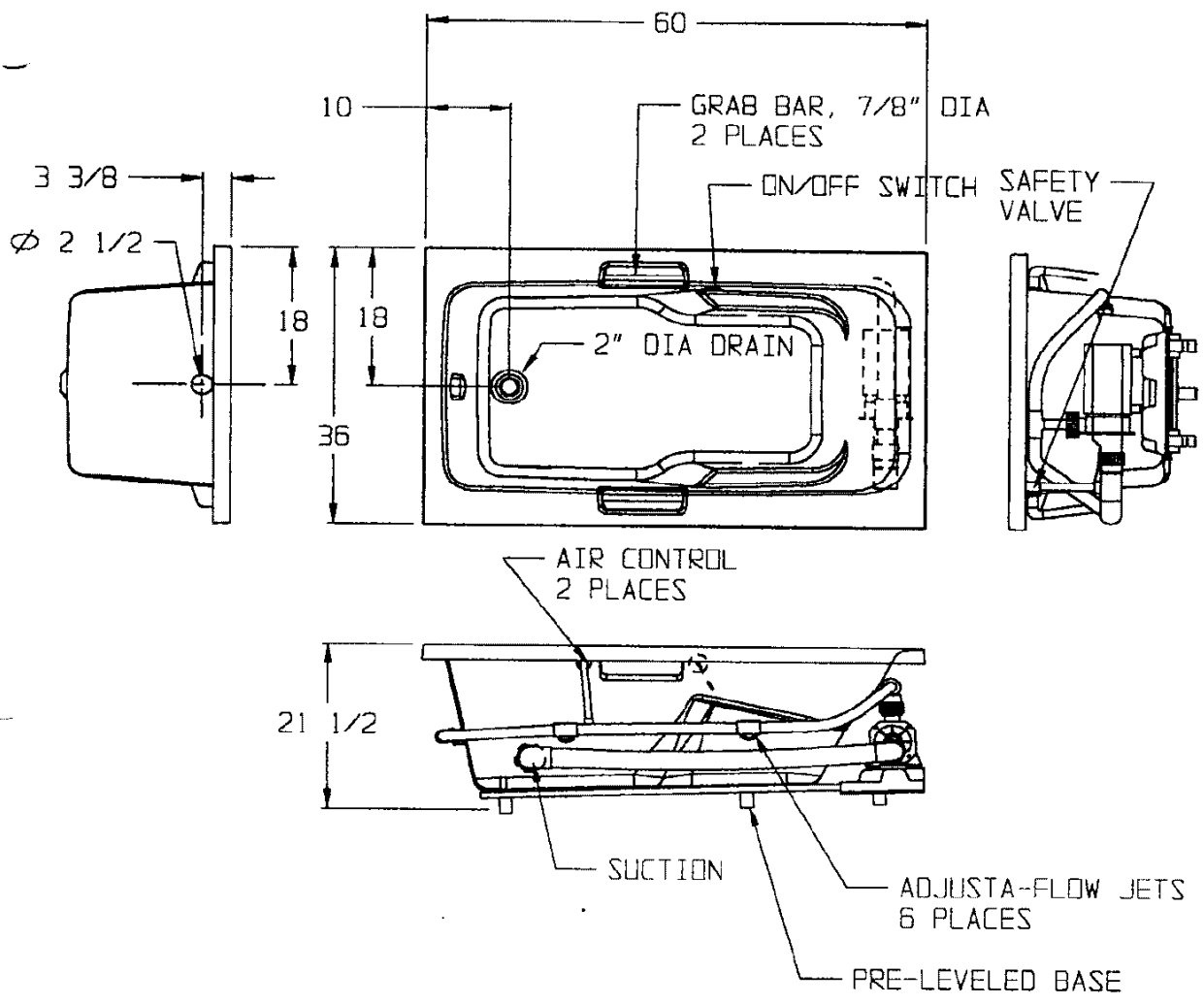
**LASCO**  
**BUILDER'S CHOICE**  
**SOAKING TUB**

3255 E. Miraloma Ave.  
 Anaheim, CA 92806

MONTROSE I  
 MODEL NO. 4160620

7/99

CAD FILE: A-10-MONTROSE1-10-0001-ST



WHIRLPOOL DRAWING

**LASCO**  
**BUILDER'S CHOICE**  
**WHIRLPOOL**

3255 E. Miraloma Ave.  
 Anaheim, CA 92806

MONROSE I  
 MODEL NO. 4160621

7/99

CAD FILE: A-10-MONROSE1-10-0001-WP