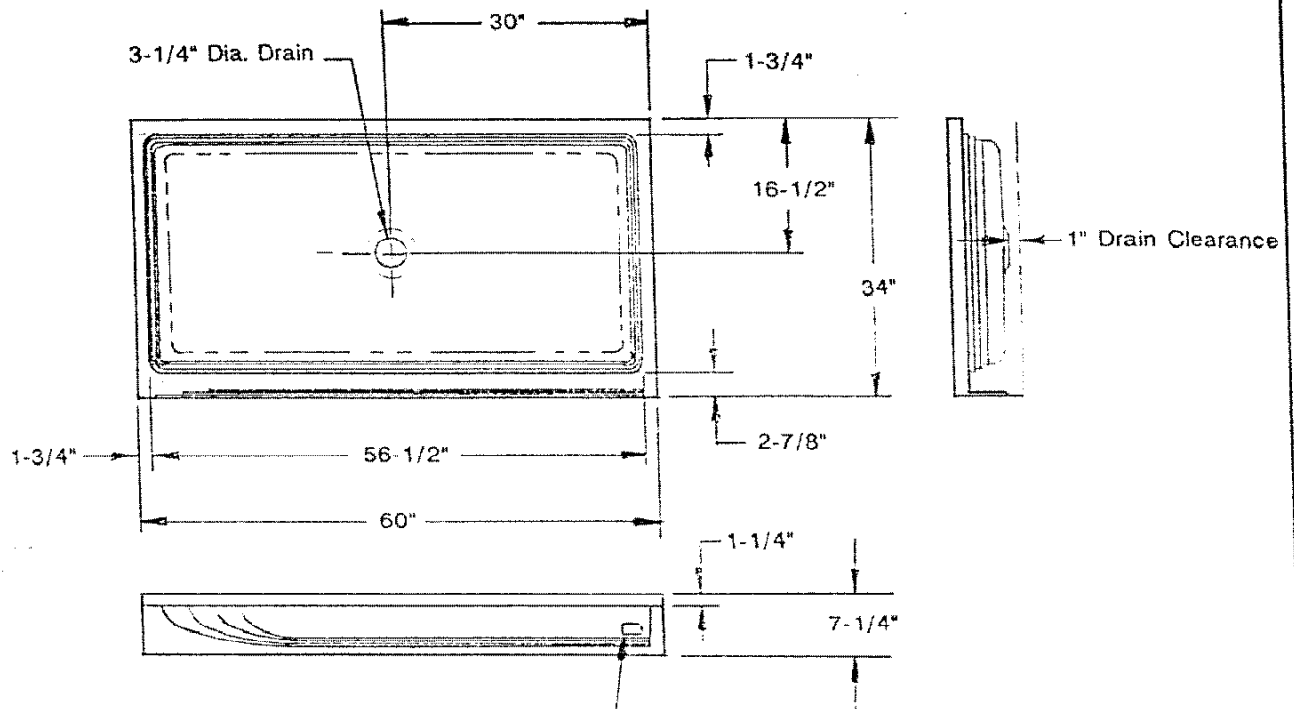


SCALE  
20=1



**LASCO**  
BATHWARE



6034-APAN

APPROVAL LABEL

**LASCO**  
BATHWARE

ACRYLIC SHOWER PAN  
MODEL 6034-APAN

7/99