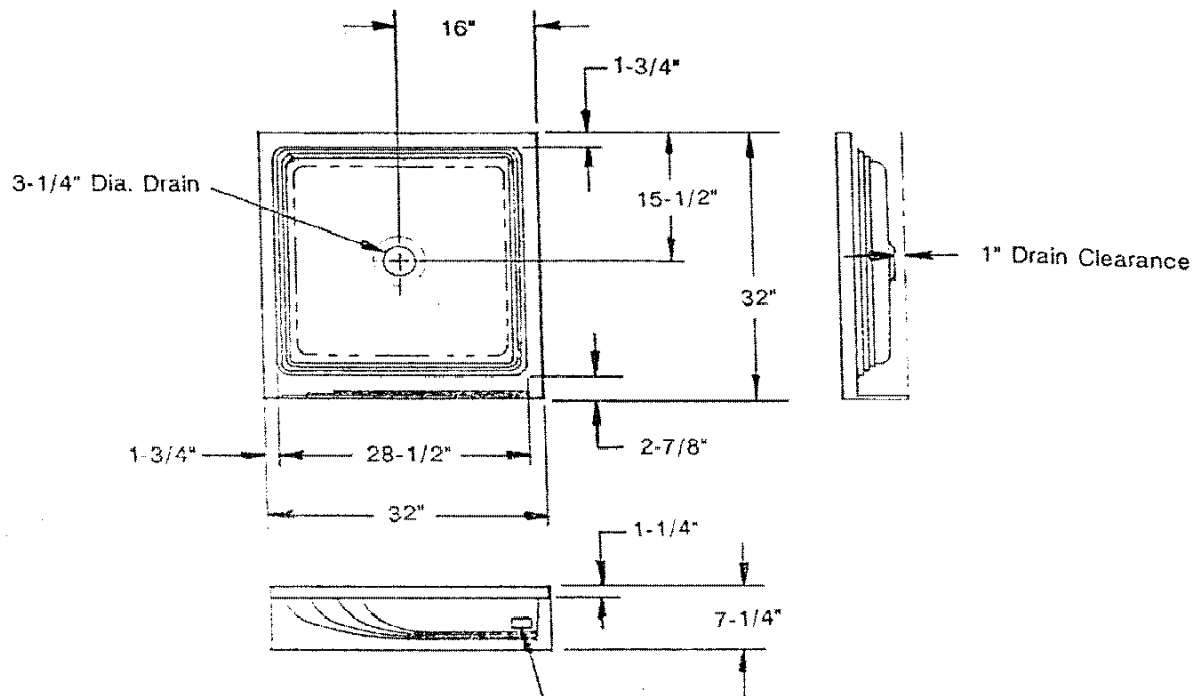
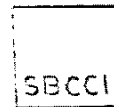


SCALE
20=1



LASCO
BATHWARE



3232-APAN

APPROVAL LABEL

LASCO
BATHWARE

ACRYLIC SHOWER PAN
MODEL 3232-APAN

7/99